

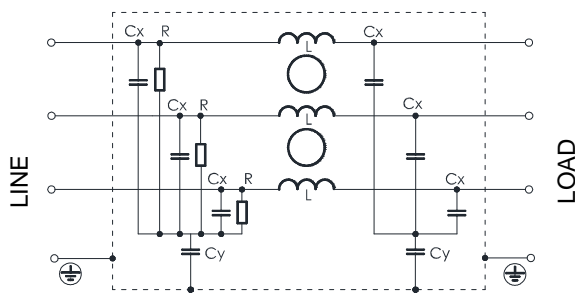
1 Features

- High performance
- Excellent characteristics of electromagnetic interference suppression
- Customization accepted

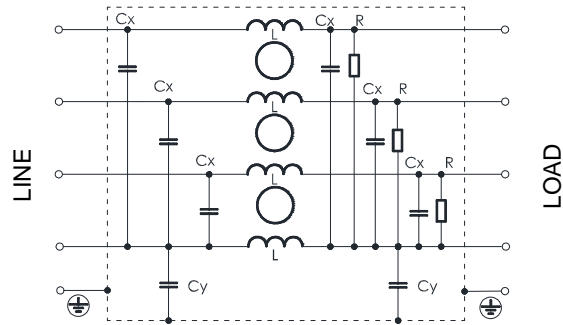
2 Technical Data

Type	Rated Voltage	Rated Current	Hi-Pot Test Voltage		Cx(μF)	Cy(nF)	L(mH)	R(MΩ)	Leakage Current 250V~50Hz
			Line-Line	Line-Ground	±10%	±20%	-30%~+50%	±10%	
DNF51-3PH-3x16A	440V-50/60Hz	16A	1800VDC,2s	2000V-50/60Hz,2s	1.0	4.7	1.2	1.0	<2.0mA
DNF51-3PH-3x20A	440V-50/60Hz	20A	1800VDC,2s	2000V-50/60Hz,2s	1.0	4.7	1.4	1.0	<2.0mA
DNF51-3PH-3x30A	440V-50/60Hz	30A	1800VDC,2s	2000V-50/60Hz,2s	1.0	4.7	1.4	1.0	<2.0mA
DNF51-3PH-4x16A	440V-50/60Hz	16A	1800VDC,2s	2000V-50/60Hz,2s	1.0	4.7	1.2	1.0	<2.0mA
DNF51-3PH-4x20A	440V-50/60Hz	20A	1800VDC,2s	2000V-50/60Hz,2s	1.0	4.7	1.2	1.0	<2.0mA
DNF51-3PH-4x30A	440V-50/60Hz	30A	1800VDC,2s	2000V-50/60Hz,2s	1.0	10.0	1.2	1.0	<3.0mA

3 Electrical Schematic

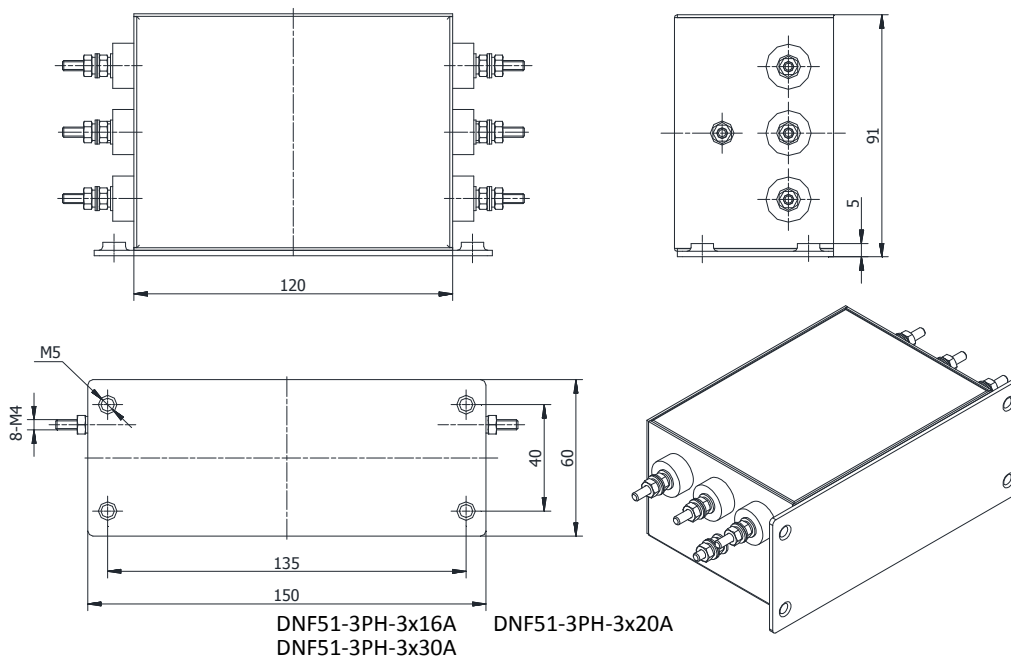


DNF51-3PH-3x16A
DNF51-3PH-3x20A

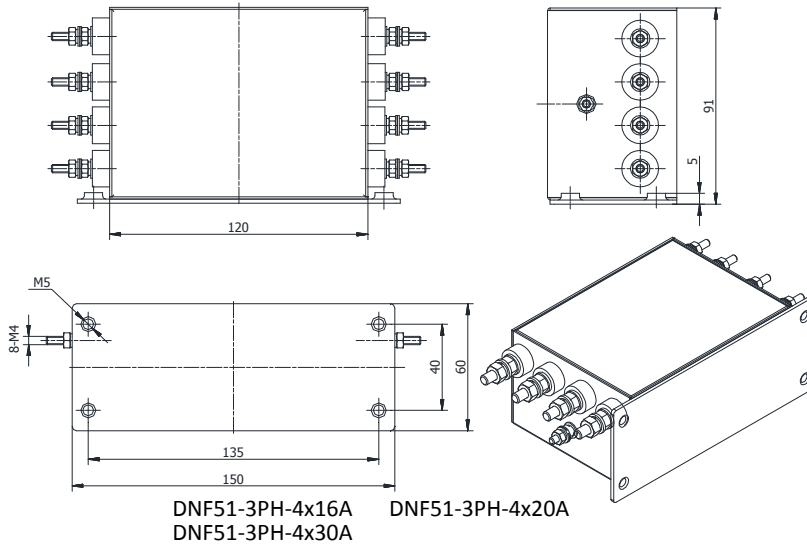


DNF51-3PH-4x16A
DNF51-3PH-4x20A
DNF51-3PH-4x30A

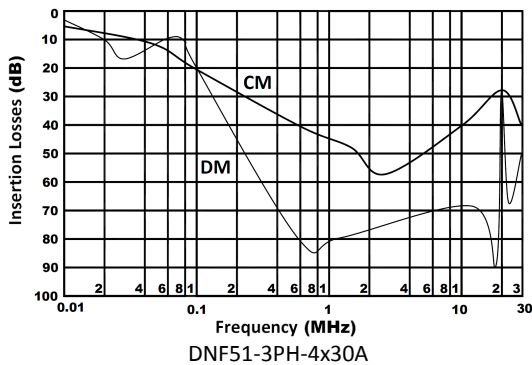
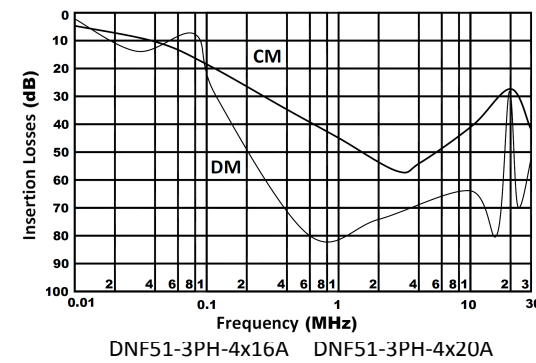
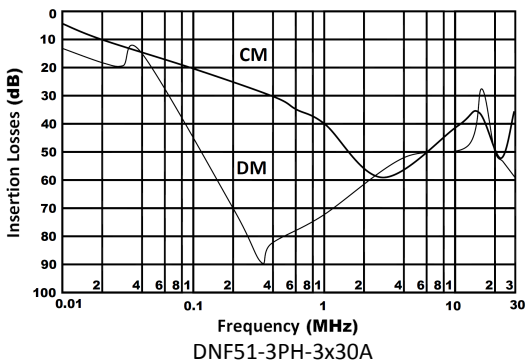
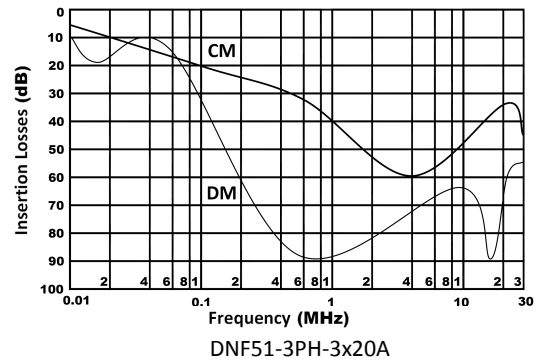
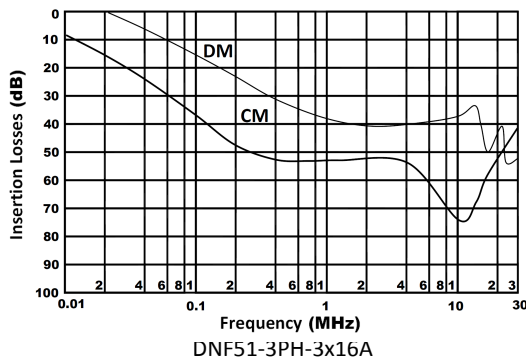
4 Dimensions (Unit:mm)



DNF51-3PH-3x16A
DNF51-3PH-3x20A
DNF51-3PH-3x30A



5 Typical Insertion Losses In 50Ω System: (CM-Common Insertion Losses DM-Different Insertion Losses)



6 Installation Instructions

- 1) Good electrical connection is needed between filter casing and equipment shell.
- 2) Connecting the filter's input and output according to the provision on the label of LINE and LOAD.
- 3) The input wiring and the output wiring should be strictly separated, cannot be bundled together.